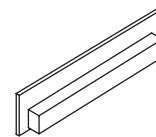
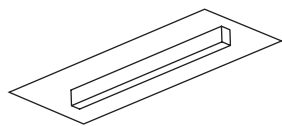
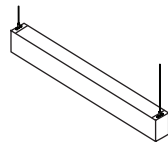




EDGE EX3

INSTALLATION INSTRUCTIONS

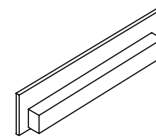
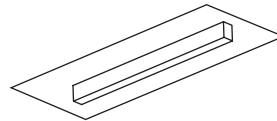
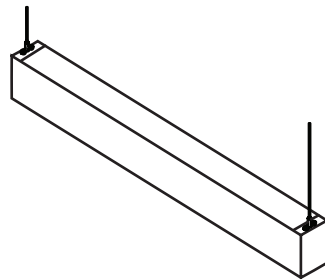
AC-to-Grid Mount Installation.....	2-3
AC-to-JB Mount Installation.....	4-5
AC-to-ST Mount Installation.....	6-7
AC-to-Fixture Mounting.....	8-10
Surface Mount Installation.....	11-13
Wall Mount Installation.....	14-16
Corner Installation.....	17-18
1 T5 Staggered Lamping.....	19-20
Lens Detail	21-22

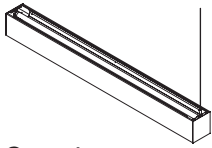




EDGE EX3

**T5/T5HO & T8
AC-TO-GRID MOUNT INSTALLATION**



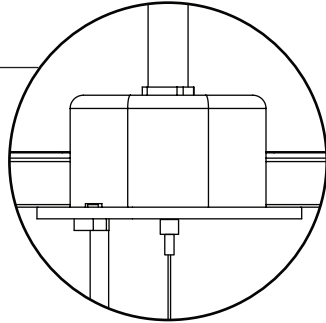


EDGE EX3 T5/T5HO/T8 AC - to - Grid Mount

[Return to Main Menu](#)

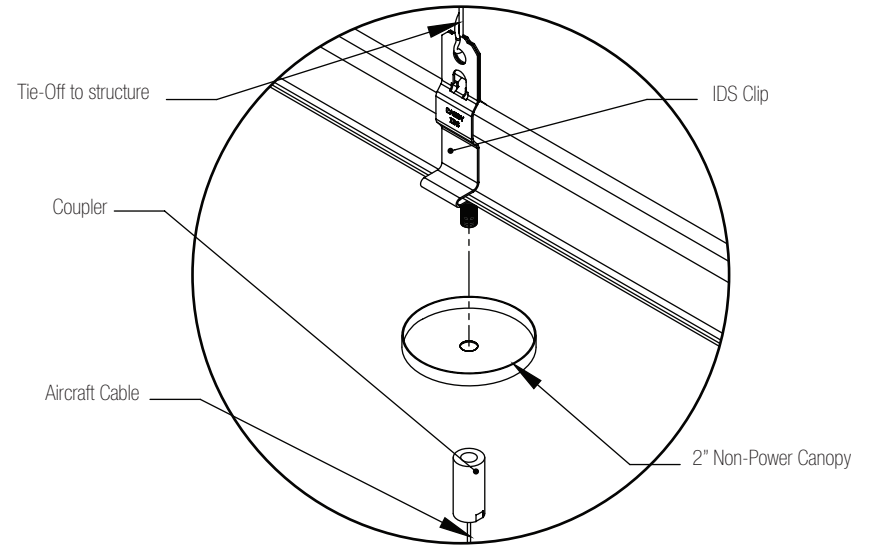
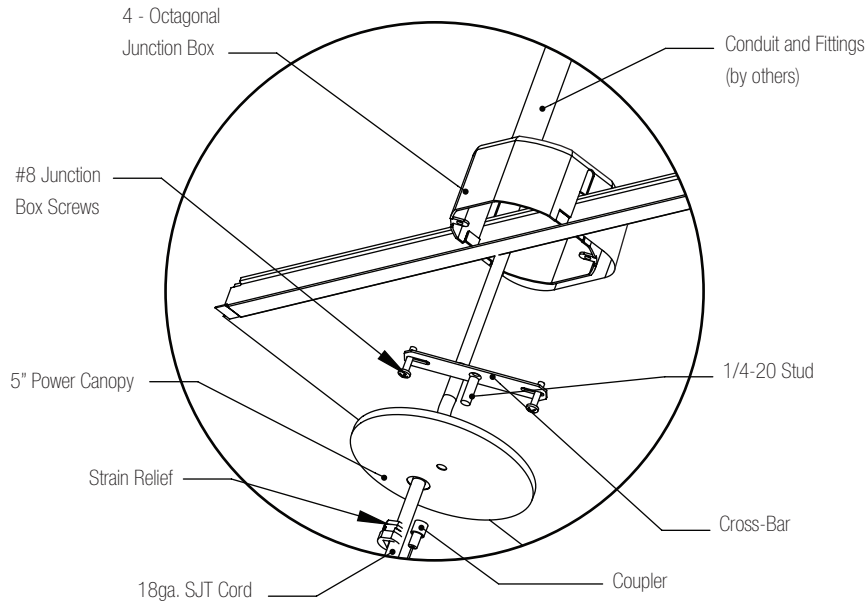
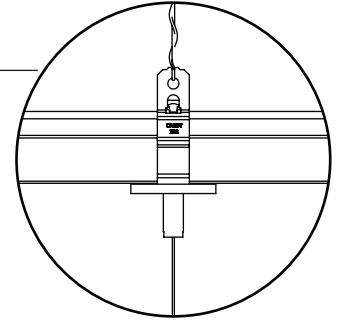
Step 1: Power at Ceiling

1. Layout mounting/ junction box locations. Begin row with fixture label at first mounting point.
2. Install junction box onto T-Bar ceiling. Tie box off to structure. Install conduit from building power.
3. Thread 1/4-20 stud to crossbar for power mounts. Install crossbar to junction box.
4. Run SJT cord through canopy, make necessary power connections, secure using strain relief.
5. Feed aircraft cable through coupler.
6. Secure canopy to crossbar bolts using aircraft cable coupler.



Step 2: Non Power Mount

1. Install IDS clips for non-power mounts. Tie off to structure.
2. Feed aircraft cable through coupler.
3. Secure canopy to IDS clip using aircraft cable coupler.



AC cables with damage, bends, kinks, fraying, or knots must be discarded and replaced with new components. Never install a fixture where the AC cable is more than 5 degrees from perpendicular to the fixture. Fixtures are never to be raised by the cables (instead, lift the fixture up and adjust the cable position). Overtightening of hardware on grippers can damage AC cables. Never exert force down onto the top of the fixture once it is hanging by safety cables. Never cut safety cables prior to installation. The first zip tie on the SJT and AC cables below the ceiling/canopy must be no closer than 12" from the ceiling/canopy

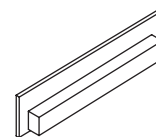
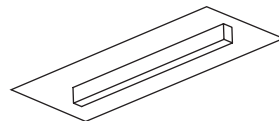
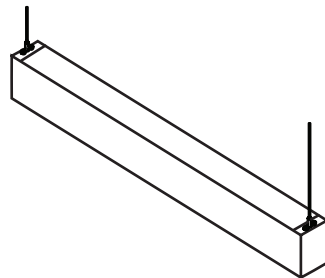


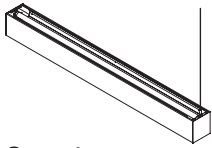
1. This product must be installed in accordance with applicable installation and electrical codes by a professional familiar with the construction and operation of the product.
2. Minimum 90°C supply conductors
3. All electrical connections must be performed by a certified electrician to applicable local and national electrical codes.
4. Fixtures must be mounted directly to structure.



EDGE EX3

**T5/T5HO & T8
AC-TO-JB MOUNT INSTALLATION**



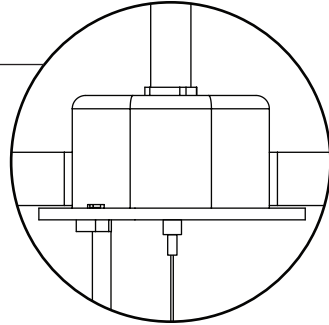


EDGE EX3 T5/T5HO/T8 AC - to - JB Mount

Return to
Main Menu

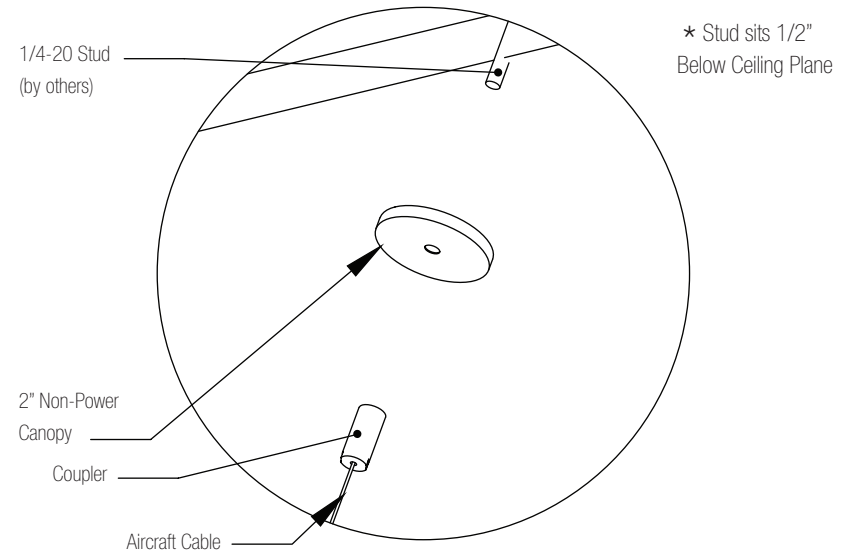
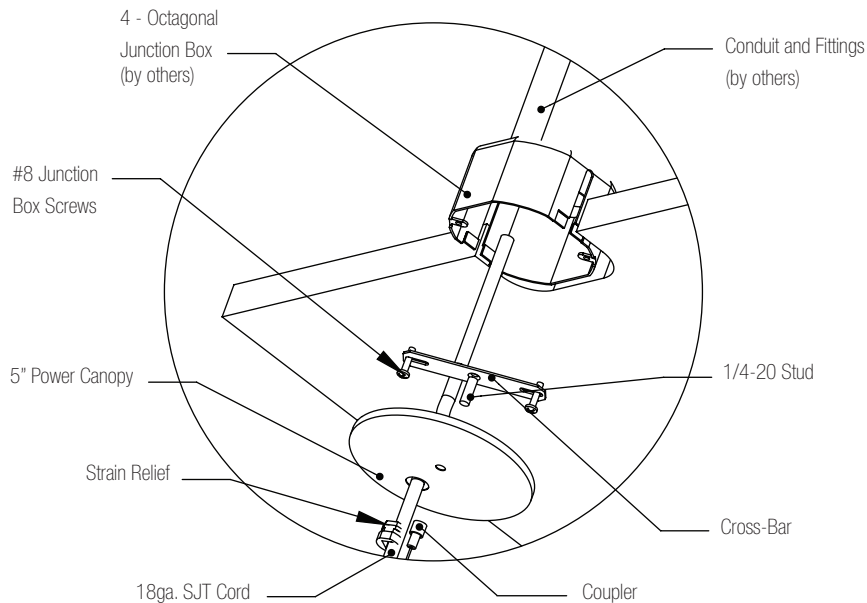
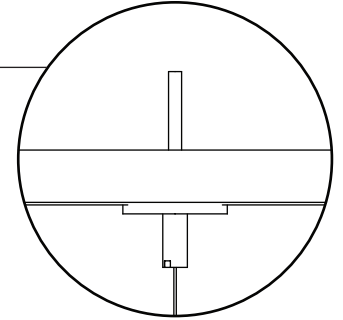
Step 1: Power at Ceiling

1. Layout mounting/ junction box locations. Begin row with fixture label at first mounting point.
2. Thread 1/4-20 stud to crossbar for power mounts.
3. Install crossbar to 4"-octagonal junction box
4. Run SJT cord through canopy and into junction box, secure with strain relief.
5. Make all necessary wiring connections.
6. Feed aircraft cable through coupler, secure canopy to cross-bar bolt using coupler.



Step 2: Non Power Mount

1. Install 1/4-20 stud for non-power mounts (1/2" below ceiling plane).
2. Feed aircraft cable through coupler.
3. Secure canopy to bolt using coupler.



AC cables with damage, bends, kinks, fraying, or knots must be discarded and replaced with new components. Never install a fixture where the AC cable is more than 5 degrees from perpendicular to the fixture. Fixtures are never to be raised by the cables (instead, lift the fixture up and adjust the cable position). Overtightening of hardware on grippers can damage AC cables. Never exert force down onto the top of the fixture once it is hanging by safety cables. Never cut safety cables prior to installation. The first zip tie on the SJT and AC cables below the ceiling/canopy must be no closer than 12" from the ceiling/canopy

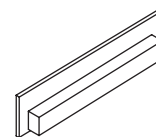
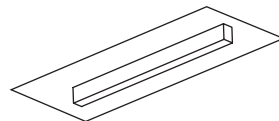
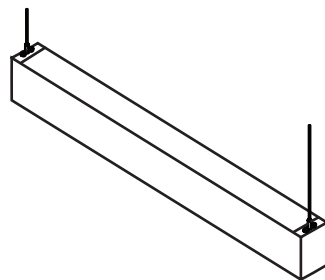


1. This product must be installed in accordance with applicable installation and electrical codes by a professional familiar with the construction and operation of the product.
2. Minimum 90°C supply conductors
3. All electrical connections must be performed by a certified electrician to applicable local and national electrical codes.
4. Fixtures must be mounted directly to structure.
5. The holding strength of AC cables cannot be guaranteed if the cables are damaged in any way.



EDGE EX3

T5/T5HO & T8
AC-TO-ST MOUNT INSTALLATION



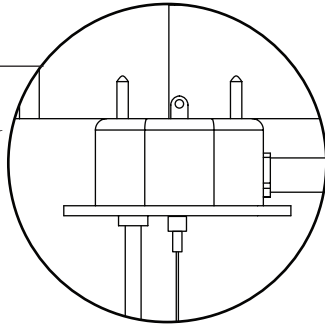


EDGE EX3 T5/T5HO/T8 AC - to - ST Mount

Return to
Main Menu

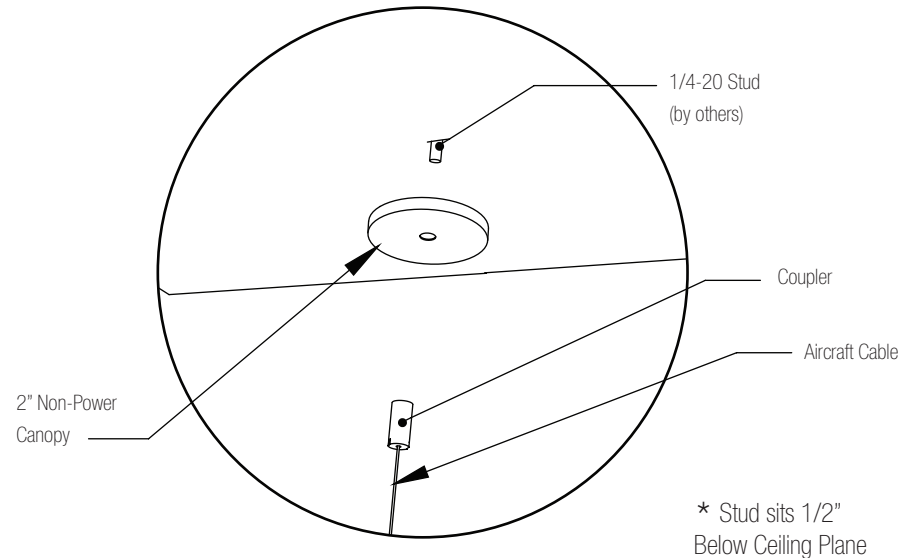
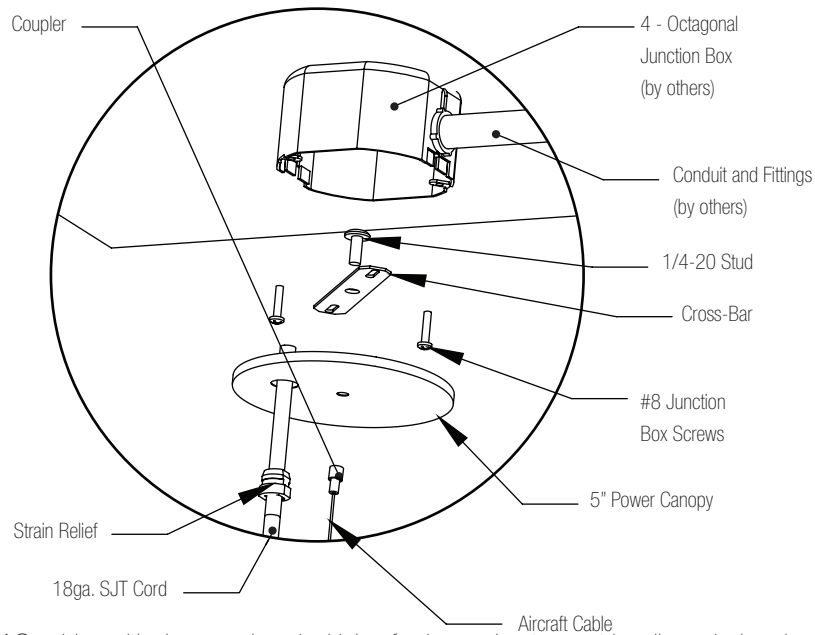
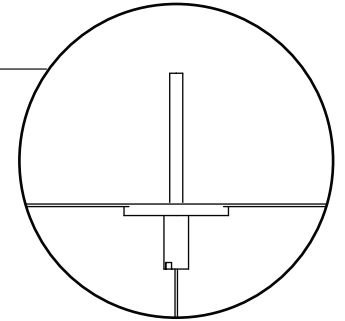
Step 1: Power at Ceiling

1. Layout mounting/ junction box locations. Begin row with fixture label at first mounting point.
2. Install 4"-octagonal junction box to structure adjacent to power feed mount locations.
3. Attach crossbar to junction box.
4. Run SJT power cord through canopy and into junction box. Secure using provided strain relief.
5. Make necessary power connections.
6. Feed Aircraft cable through coupler and secure canopy to junction using coupler (provided).



Step 2: Non Power Mount

1. Install 1/4-20 studs to structure at all mounting points (1/2" below ceiling plan.)
2. Feed aircraft cable through coupler (if applicable).
5. Secure coupler assembly to 1/4-20 bolt or stud.



* Stud sits 1/2"
Below Ceiling Plane

AC cables with damage, bends, kinks, fraying, or knots must be discarded and replaced with new components. Never install a fixture where the AC cable is more than 5 degrees from perpendicular to the fixture. Fixtures are never to be raised by the cables (instead, lift the fixture up and adjust the cable position). Overtightening of hardware on grippers can damage AC cables. Never exert force down onto the top of the fixture once it is hanging by safety cables. Never cut safety cables prior to installation. The first zip tie on the SJT and AC cables below the ceiling/canopy must be no closer than 12" from the ceiling/canopy

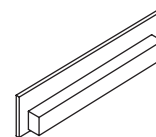
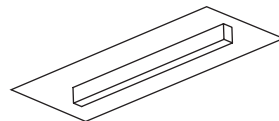
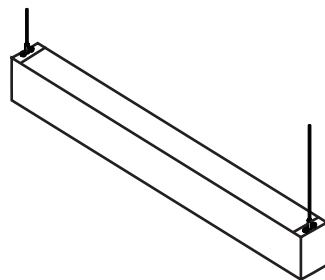


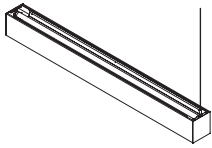
1. This product must be installed in accordance with applicable installation and electrical codes by a professional familiar with the construction and operation of the product.
2. Minimum 90°C supply conductors
3. All electrical connections must be performed by a certified electrician to applicable local and national electrical codes.
4. Fixtures must be mounted directly to structure.
5. The holding strength of AC cables cannot be guaranteed if the cables are damaged in any way.



EDGE EX3

T5/T5HO & T8
AC-TO-FIXTURE INSTALLATION



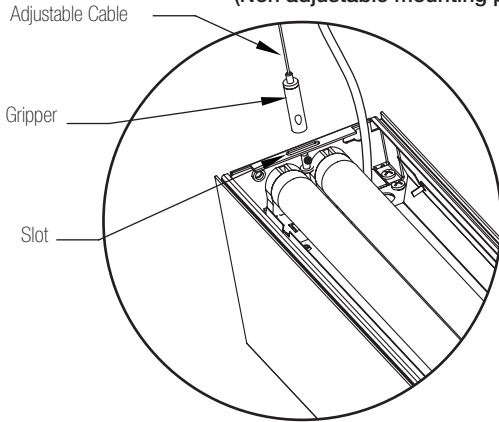


EDGE EX3

T5/T5HO/T8 AC - to - Grid Mount

[Return to Main Menu](#)

Single Aircraft Cable (Non adjustable mounting points)

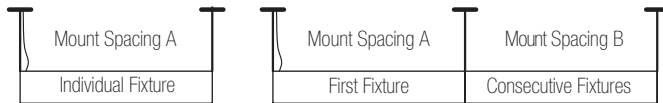


Step 3: Single AC Mounting

1. Attach #8-32 screw to gripper through slot.
2. Slide aircraft cable through gripper.
3. Adjust gripper side to side to level fixture then tighten.
4. Repeat process for each subsequent fixture.
5. Re-level previous fixtures as necessary.

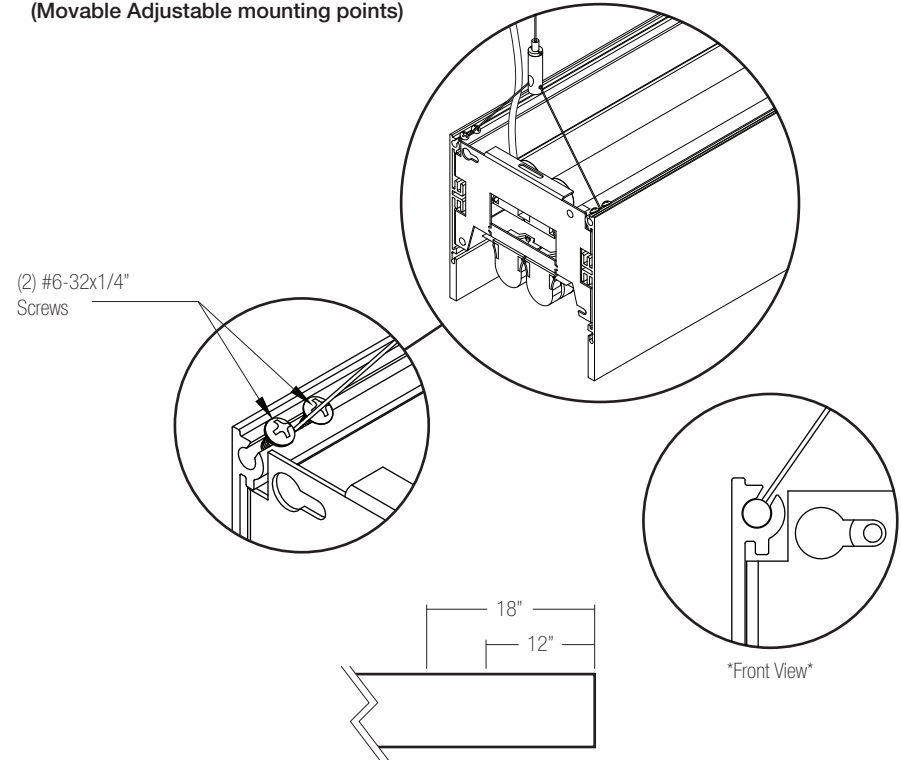
Mount Spacing

Aircraft Cable - Example Rows



Length	A	B
2'	23-1/2"	24"
3'	35-1/2"	36"
4'	47-1/2"	48"
5'	59-1/2"	60"
6'	71-1/2"	72"
7'	83-1/2"	84"
8'	95-1/2"	96"

MAC Mounting (Movable Adjustable mounting points)

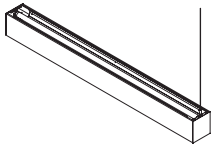


Step 3: MAC Mounting (Y Mount Cable)

1. Attach "Y" Cable to fixture by sliding ends into screw chase.
2. Secure into screw chase with #6-32x1/4" screws. (2) for each side of fixture.
3. Max distance from end of fixture for MAC is 12" for 2', 3', 4', & 5' fixtures and 18" for 6', 7', & 8' fixtures.

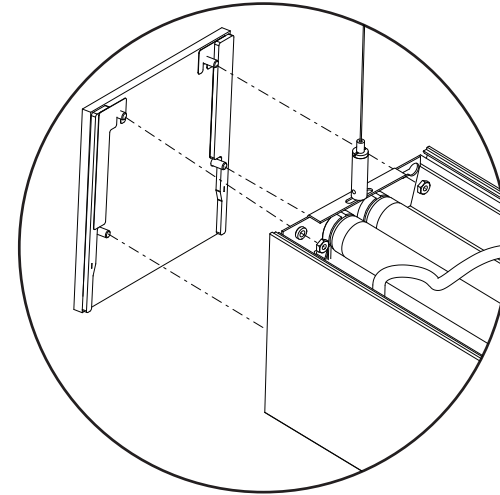
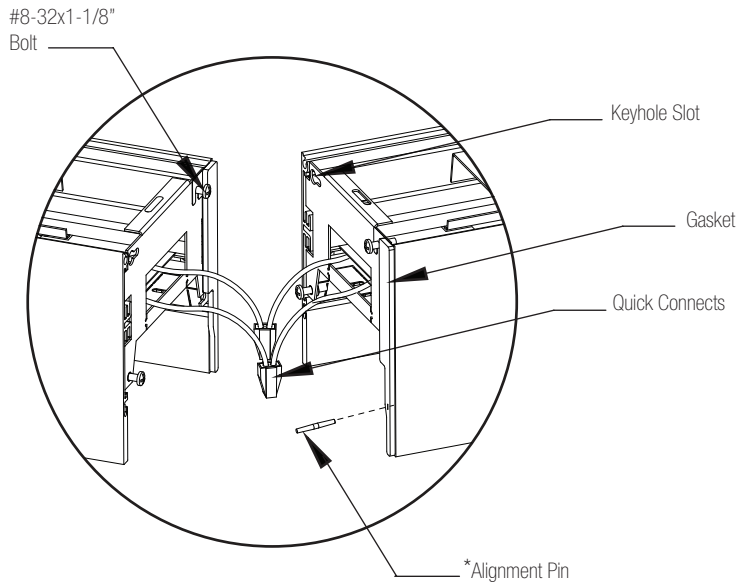


1. This product must be installed in accordance with applicable installation and electrical codes by a professional familiar with the construction and operation of the product.
2. Minimum 90°C supply conductors
3. All electrical connections must be performed by a certified electrician to applicable local and national electrical codes.
4. Fixtures must be mounted directly to structure.
5. The holding strength of AC cables cannot be guaranteed if the cables are damaged in any way.



EDGE EX3 T5/T5HO/T8 AC - to - Grid Mount

Return to
Main Menu



Step 5: Joining Fixtures

1. Install first fixture with two (2) mounting points.
2. Subsequent fixtures use one (1) mount.
3. Install two (2) #8-32x1 1-1/8" bolts into each fixture and the alignment pin as shown.
4. Manually support or hang fixture at same level as adjoining fixture and slip bolt heads through key-hole slot, fixtures will stand off approximately 1" for wiring.
5. Attach mounting to fixture as previously shown.
6. Make necessary wiring connections between fixtures ensuring all wires are properly matched.
7. Remove white tear off part and attach one Gasket to each side of the joint by hanging it over the joining bolts at the top of the fixtures.
8. Slide fixtures together and use alignment pins to ensure fixtures are lined up perfectly.
9. Tighten the previously installed #8-32x1-1/8" (1/2 turn past hand tight) making sure to keep gasket in place, to complete joining and create ground.

***Note: Alignment pin is notched, notch must be parallel to floor.**

Step 6: Finishing

1. Install gasket on all ends.
2. Install end plates prior to lens/louwer installation.
2. Place against end of fixture and secure using four (4) #6-32 nuts.

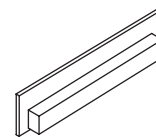
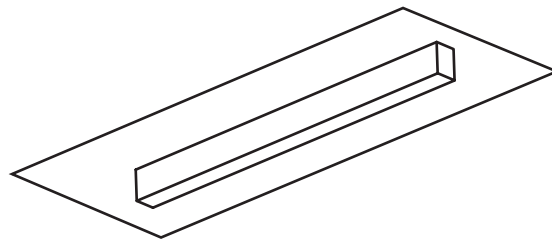
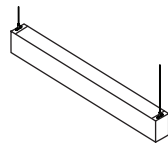


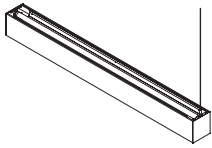
1. This product must be installed in accordance with applicable installation and electrical codes by a professional familiar with the construction and operation of the product.
2. Minimum 90°C supply conductors
3. All electrical connections must be performed by a certified electrician to applicable local and national electrical codes.
4. Fixtures must be mounted directly to structure.
5. The holding strength of AC cables cannot be guaranteed if the cables are damaged in any way.



EDGE EX3

**T5/T5HO & T8
SURFACE MOUNT INSTALLATION**



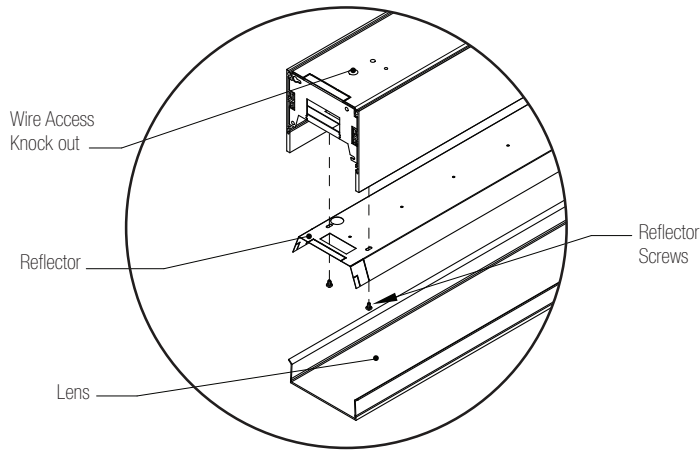


EDGE EX3 T5/T5HO/T8 Surface Mount Instructions

Return to
Main Menu

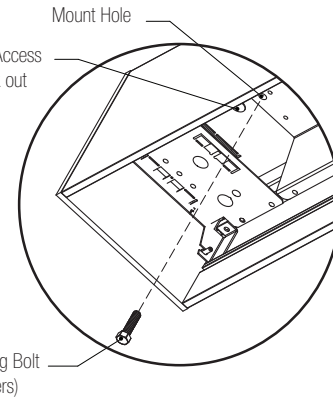
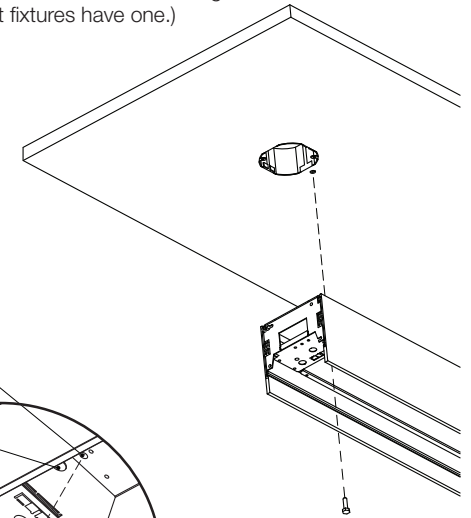
Step 1: Fixture Prep

1. Block out behind mounting location (see mounting chart below).
2. Remove wire access knock out from beginning of fixture or beginning of row fixture.
3. Remove lens/ louver options from fixture(s).
4. Remove reflector from housing by removing reflector screws.
5. Feed necessary wires out of top wire access knock out.

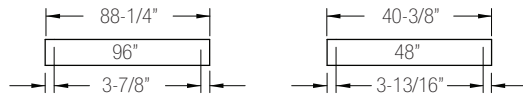


Step 2: Mounting and Power

1. Install junction box (by others) into ceiling. **Note: Junction box cannot be wider than fixture.**
3. Feed wires through knock out and connect to building power ensuring all wires are properly matched.
3. Mount fixture to ceiling using 1/4" Lag bolt, bolt must be at least 1-1/2" long. (individual fixtures have 2 mounting points, subsequent fixtures have one.)



Individual Spacing



Continuous Run Example

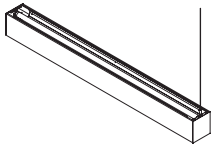


Mount Spacing Example Rows
 Fixture Lengths: 48", 96" (add 6" per MR16)
 End Plates Not Included
 First/ Individual Fixture
 Mount Spacing (C-to-C)
 4' = 40-3/8"
 8' = 88-1/4"
 Continuous Run
 Mount Spacing (C-to-C)
 4' = 40-3/8"
 8' = 88-1/4"

EX3 width = 3-1/2"
 EX6 width = 5-1/2"

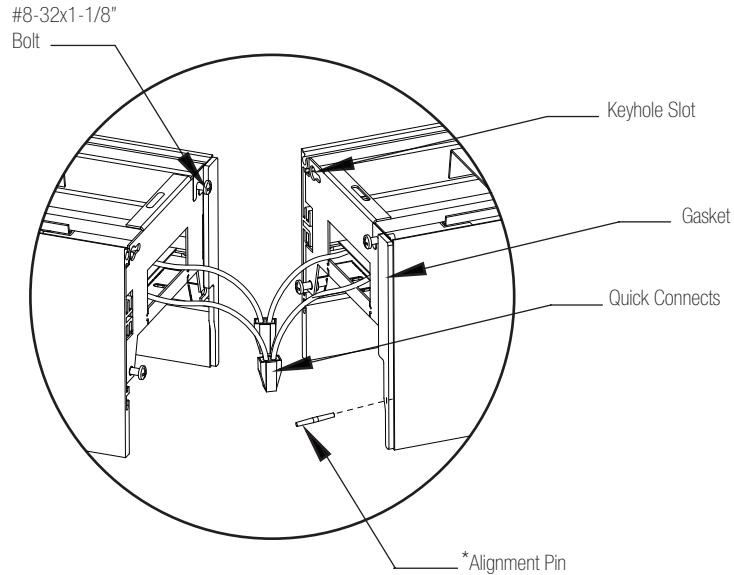


1. This product must be installed in accordance with applicable installation and electrical codes by a professional familiar with the construction and operation of the product.
2. Minimum 90°C supply conductors
3. All electrical connections must be performed by a certified electrician to applicable local and national electrical codes.
4. Fixtures must be mounted directly to structure.
5. The holding strength of AC cables cannot be guaranteed if the cables are damaged in any way.

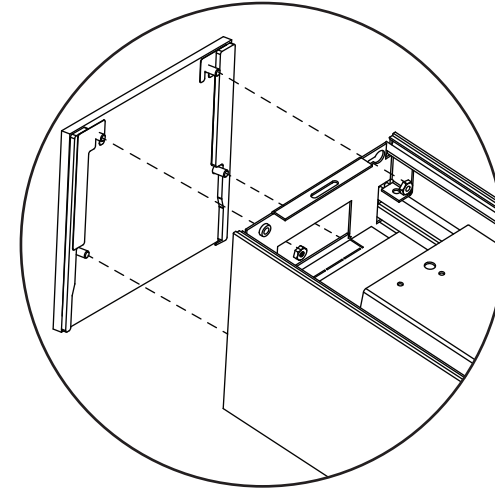


EDGE EX3 T5/T5HO/T8 Surface Mount Instructions

Return to
Main Menu



***Note: Cover plate removed for image clarity.**



Step 3: Joining Fixtures

1. Install first fixture with two (2) mounting points.
2. Subsequent fixtures use one (1) mount.
3. Install two (2) #8-32x1 1-1/8" bolt into each fixture and the alignment pins as shown.
4. Raise adjoining fixture and slip bolts heads through key-hole slot, fixtures will stand off approximately 1" for wiring.
5. Attach mounting to fixture as previously shown.
6. Make necessary wiring connections between fixtures ensuring all wires are properly matched.
7. Remove white tear off part and attach one Gasket to each side of the joint by hanging it over the joining bolts at the top of the fixtures.
8. Slide fixtures together and use alignment pins to ensure fixtures are lined up perfectly.
9. Tighten the previously installed #8-32x1-1/8" (1/2 turn past hand tight) to complete joining and create ground.

***Note: Alignment pin is notched, notch must be parallel to floor.**

Step 4: Finishing

1. Install gasket on all ends and joints.
2. Install end plates prior to lens/louver installation.
2. Place against end of fixture and secure using four (4) #6-32 nuts.

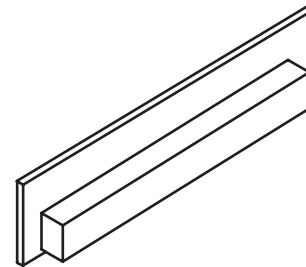
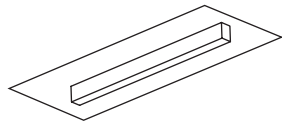
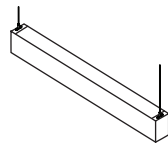


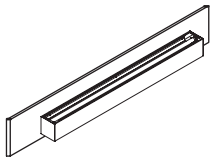
1. This product must be installed in accordance with applicable installation and electrical codes by a professional familiar with the construction and operation of the product.
2. Minimum 90°C supply conductors
3. All electrical connections must be performed by a certified electrician to applicable local and national electrical codes.
4. Fixtures must be mounted directly to structure.
5. The holding strength of AC cables cannot be guaranteed if the cables are damaged in any way.



EDGE EX3

**T5/T5HO & T8
WALL MOUNT INSTALLATION**





EDGE EX3

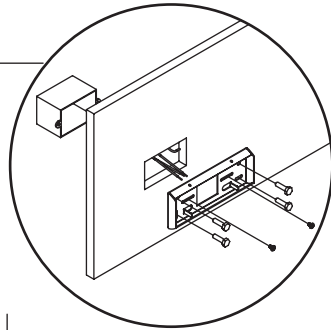
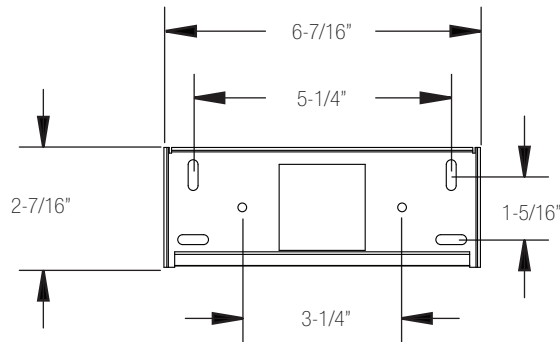
T5/T5HO/T8 Wall Mount Instructions

Return to
Main Menu

Step 1: Wall Bracket

1. Attach wall side bracket to structure via mounting hardware (by others).
2. If power side, mount bracket in line with 2x4 junction box (by others).
3. Bring power in through junction box.
4. Follow mount spacing on page 2 for additional mounting points.

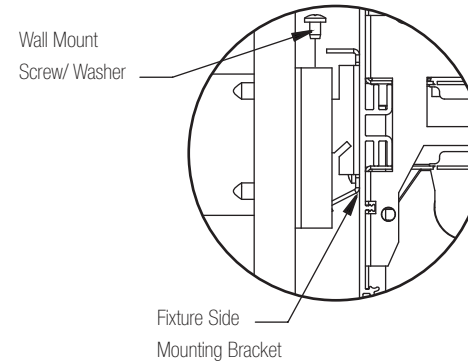
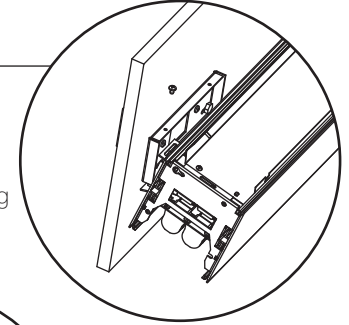
(Note: See page 2 for additional mount dimensions)



Step 2: Power Mount

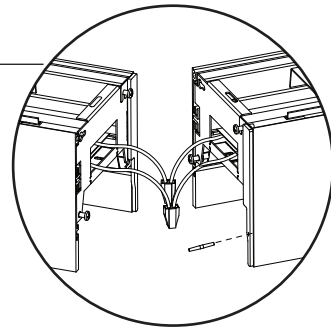
1. To power fixture attach building power to fixture power wires using push nuts.
2. Recess connections into junction box.
3. Attach fixture to wall bracket as shown.
4. Make necessary adjustments laterally prior to tightening wall mount screw.

(Note: See page 2 for additional mount dimensions)



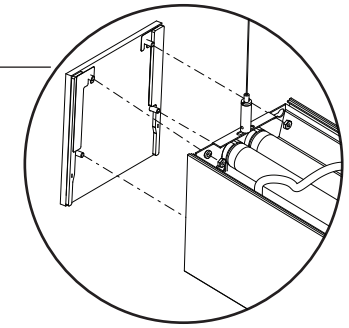
Step 3: Joining Fixtures

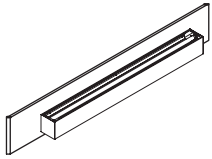
1. Install joining kit hardware.
2. Use 2 pins to align fixtures *(Note: Pin is notched, notch must be parallel to floor.)*
3. Slip adjacent fixture's joining hardware through the keyhole slots on the end plates.
4. Make wiring connections and recess wires into fixture.
5. Tighten joining hardware.



Step 4: Finishing

1. Install gasket on ends and joints.
2. Install end caps.
3. Place against end of fixture and secure using four (4) #8-32 screws.

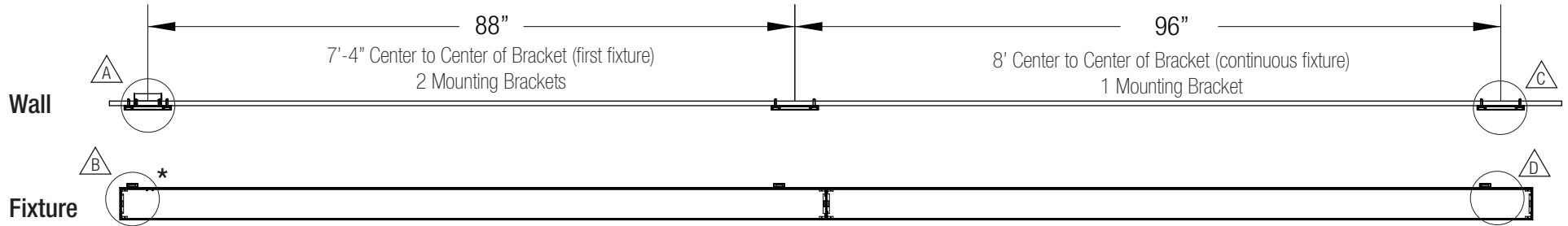




EDGE EX3

T5/T5HO/T8 Wall Mount Instructions

Return to
Main Menu

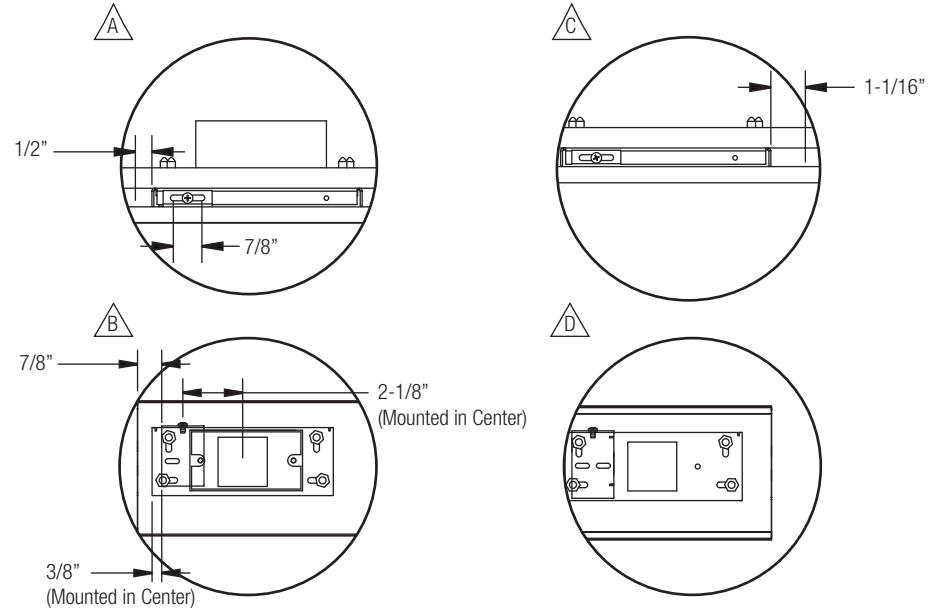


First/ Independent Fixture Mounting Example

2' - 16"	1'-4" Center to center of bracket
3' - 28"	2'-4" Center to center of bracket
4' - 40"	3'-4" Center to center of bracket
5' - 52"	4'-4" Center to center of bracket
6' - 64"	5'-4" Center to center of bracket
7' - 76"	6'-4" Center to center of bracket
8' - 88"	7'-4" Center to center of bracket

Intermediate/ End Fixture Mounting Example

2' - 24"	2'-0" Center to center of bracket
3' - 36"	3'-0" Center to center of bracket
4' - 48"	4'-0" Center to center of bracket
5' - 60"	5'-0" Center to center of bracket
6' - 72"	6'-0" Center to center of bracket
7' - 84"	7'-0" Center to center of bracket
8' - 96"	8'-0" Center to center of bracket



*** Note: Power typically *
on left side of fixture.**

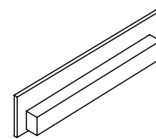
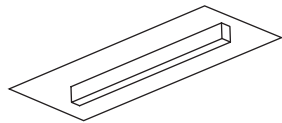
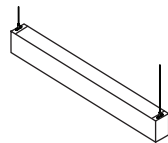


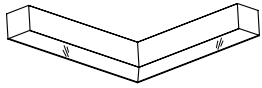
1. This product must be installed in accordance with applicable installation and electrical codes by a professional familiar with the construction and operation of the product.
2. Minimum 90°C supply conductors
3. All electrical connections must be performed by a certified electrician to applicable local and national electrical codes.
4. Fixtures must be mounted directly to structure.
5. The holding strength of AC cables cannot be guaranteed if the cables are damaged in any way.



EDGE EX3

**CORNER
INSTALLATION**

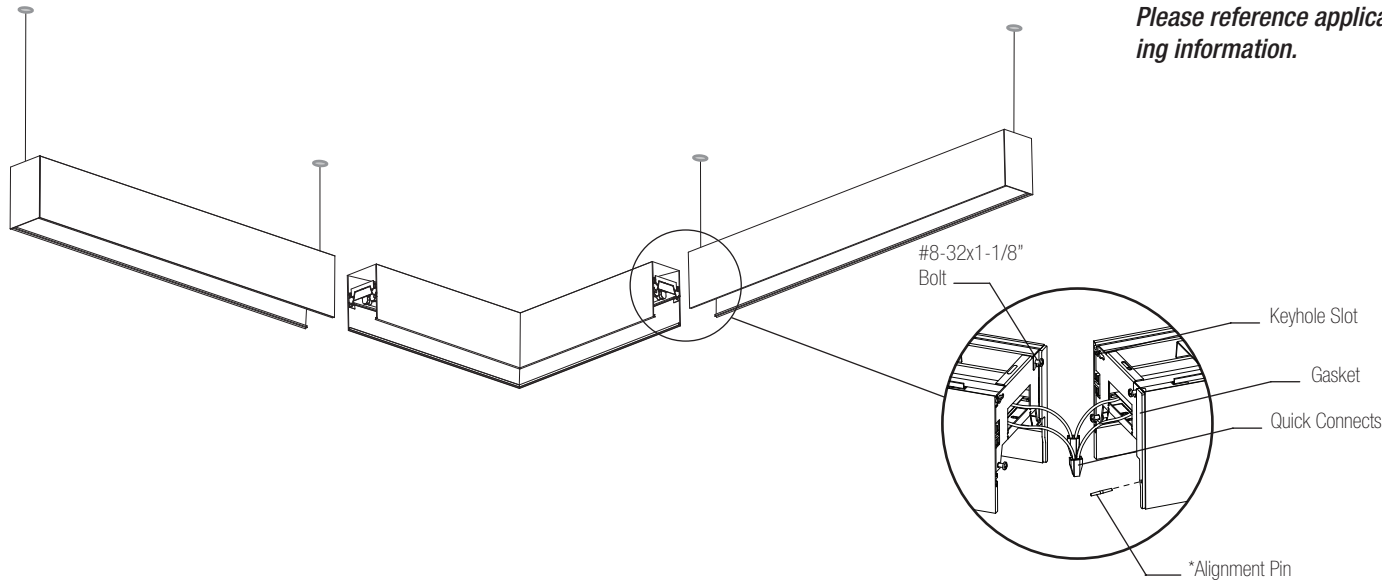




EDGE EX3

Corner Installation Detail

Return to
Main Menu



Please reference applicable installation sheet for further details and mounting information.

***Note: Alignment pin is notched, notch must be facing top of fixture.**

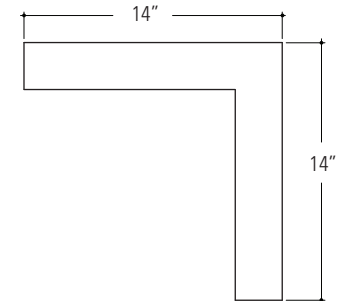
***Note: Fixtures are gasketed, trim gasketing if needed.**

Corner Piece:

1. Layout run pattern, and install mounting hardware. (**Note: corner piece has one mount point.**)
2. Mount fixture(s) first, use fixture(s) to support corner during installation.
3. Join fixtures together.

Joining Fixtures

1. Install two (2) #8-32 1-1/8" bolt and the alignment pin into each fixture as shown.
2. Raise adjoining fixture and slip bolt heads through key-hole slot.
3. Attach mounting to fixture.
4. Make necessary wiring connections between fixtures.
5. Slide fixtures together and use alignment pin to ensure fixtures are lined up perfectly.
6. Tighten the previously installed #8-32x1-1/8" (1/2 turn past hand tight) to complete joining and create ground.

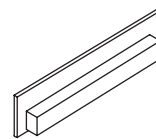
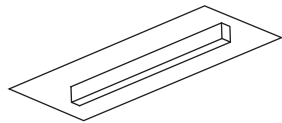
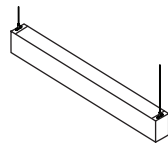


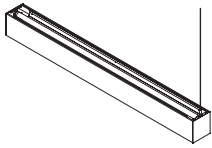
1. This product must be installed in accordance with applicable installation and electrical codes by a professional familiar with the construction and operation of the product.
2. Minimum 90°C supply conductors
3. All electrical connections must be performed by a certified electrician to applicable local and national electrical codes.
4. Fixtures must be mounted directly to structure.
5. The holding strength of AC cables cannot be guaranteed if the cables are damaged in any way.



EDGE EX3

**1T5 STAGGERED
INSTALLATION**





EDGE EX3 1T5 Staggered

[Return to Main Menu](#)

Fixture Label

Below is an example of a fixture label, the label can be found inside the fixture attached to the reflector on the power side of the fixture, in addition to the manufactures information, the label shows product type, number of lamps, and fixture placement in row. Check this before referring to submittals or shop drawings.

PINNACLE ARCHITECTURAL LIGHTING
 12655 East 42nd Ave Suite 50, Denver, CO-80239
 PH: 303.322.5570 FAX:303.322.5568

SO: XXXXX
Type: C

E4SA-2T5 95M1 G1G-UNV-2C-W 8CCCC

CIRCUIT 1 (BLACK, WHITE) 120/277V 60Hz 0.54/0.26A
 CIRCUIT 2 (BLK/RED, WHT/RED) 120/277V 60Hz 0.55/0.23A
 RECESSED FLOURESCENT MAX 14/28W TYPE T5
 UL FILE: E257412 SUITABLE FOR DAMP LOCATION
 CAUTION-RISK OF FIRE

Fixt 1 of 1 MFG:11/13

Fixture Type - This will tell you the length in inches and the placement of the fixture in the row.

95M1 - 95" fixture in the middle of the row.

Layout - This will tell you the nominal length of the fixture and the number of lamps

8CCCC - 8' fixture with five (5) lamps.

See below for examples of configured rows.

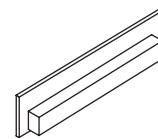
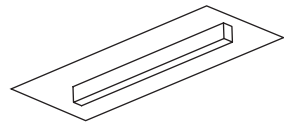
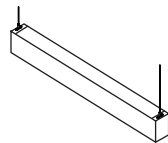
Nominal Length	Actual Length	Lamp Totals	Configuration of EX3
8 ft	8'	3ft = 2, 4ft = 1	
12 ft	12'	3ft = 2, 4ft = 2	
16 ft	16'	3ft = 4, 4ft = 2	
20 ft	20'	3ft = 4, 4ft = 3	
24 ft	24'	3ft = 6, 4ft = 3	

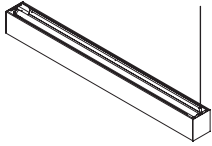
NOTE: Rows must be assembled in order shown. Rows cannot be reconfigured.



EDGE EX3

**LENS
DETAIL**





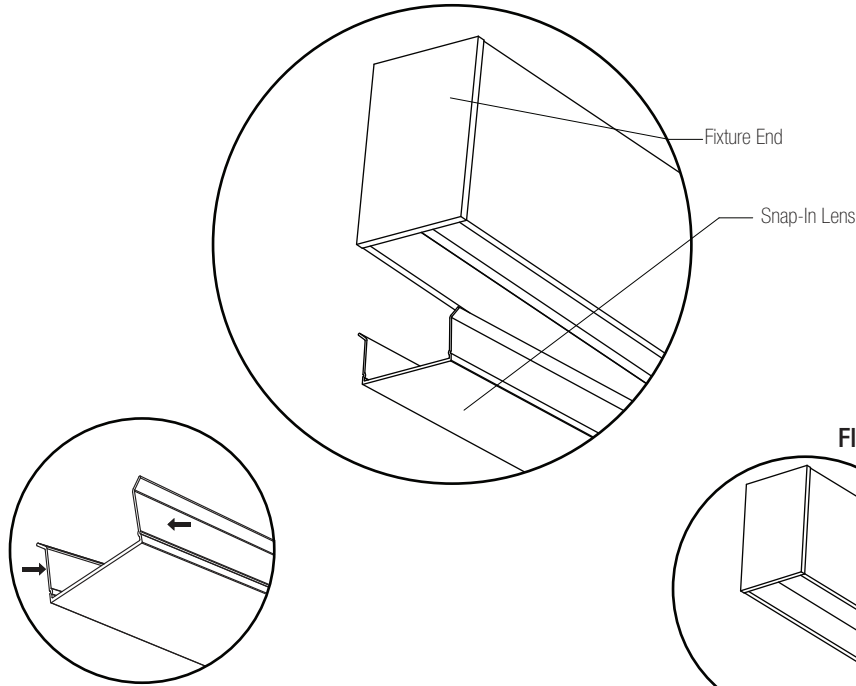
EDGE

Snap In Lens Lensing Detail Sheet

Return to
Main Menu

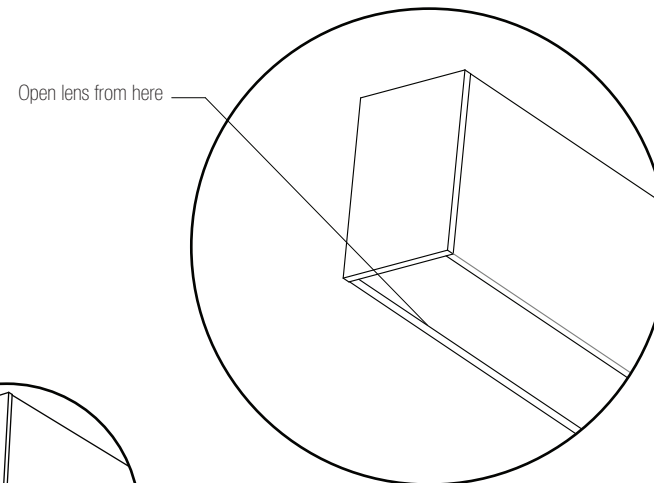
Lens Installation

1. Begin at one end of the lens and squeeze sides to allow it to flex.
2. Insert end of lens into place. Lens snaps into place when installed properly.
3. Slowly insert rest of lens down the length of the fixture.

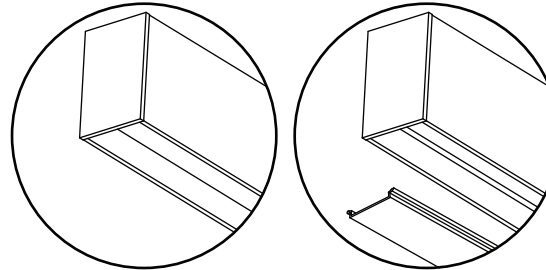


Lens Removal

1. Insert a rigid object approx. 1/16" thick, such as a putty knife, into the edge between the lens and the fixture side about one inch from end.
2. Using said object, gently pry lens away from fixture until it is released from the mounting groove.
3. Once the section is released, start at that end of the fixture and pull the lens out of the fixture.



Flat regress lens option



Note: Low temperatures can effect the lens material, making it brittle. Please allow the lenses to warm to room temperature before installation.

